

PS DOORS—LIMITED WARRANTY

LIMITED WARRANTY

PS DOORS warrants this product and components to be free from defects in material and workmanship for a period of one (1) year from date of shipment. If within the term of this warranty, Access Hatch or component is found to be defective upon inspection by an authorized PS DOORS representative, PS DOORS will replace or repair, at PS DOORS' discretion, any part found to be defective. Any field labor charges incurred are the sole responsibility of the customer.

To make a claim under this warranty, contact PS DOORS at the address shown below.

PS DOORS	Toll Free: 800-284-0623
Attention: Warranty	Phone: 701-746-4519
1150 S. 48th Street	Fax: 701-746-8340
Grand Forks, ND 58201	E-mail: 4psinfo@psdoors.com

Unauthorized modification of or to this product voids the PS DOORS Limited Warranty. Accordingly, you can expect any request for warranty repair to be charged to you, if the product requires service after unauthorized modification. Authorized modifications, received in writing from PS DOORS, as long as the modification is accomplished in strict accordance with PS DOORS' instructions, does not void warranty. To request product modifications contact PS DOORS, 1150 S. 48th Street, Grand Forks, ND 58201, phone 800-284-0623, email: 4psinfo@psdoors.com.

PS DOORS SHALL NOT BE LIABLE FOR ANY CONSEQUENTIAL OR INCIDENTAL DAMAGES.







All other warranty's, express or implied including any warranty of merchantability, are expressly excluded. Some states do not allow the exclusion or limitation of consequential or incidental damages, so the above limitation or exclusion may not apply to you.

WARRANTY DOES NOT APPLY TO ANY DAMAGE OR DETERIORATION CAUSED BY MODIFICATION, ABUSE, APPLIED PAINT FAILURE OR FAILURE TO PROVIDE REASONABLE AND NECESSARY MAINTENANCE.

This warranty gives you specific legal rights, and you may also have other rights, which vary, from state to state.

EXCLUSIONS: Seals and/or gaskets are considered a "wear item" and are not covered under this warranty.

Safety Precautions: The following icons are used throughout this Manual.

-  **DANGER** Indicates an imminently hazardous situation which, if not avoided, will result in death or serious injury.
-  **WARNING** Indicates a potentially hazardous situation which, if not avoided, could result in death or serious injury.
-  **CAUTION** Indicates a potentially hazardous situation which, if not avoided, may result in minor or moderated injury.
-  **NOTICE** Indicates manufacture's statement of additional information.
-  **IMPORTANT!** Indicates a required action.
-  **CRITICAL** Indicates a vital component to product performance.

NOTICE ADDITIONAL INFORMATION

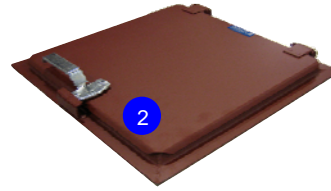
1. PS DOORS recommends that the owner implement a regular maintenance program to inspect the Access Hatch. This program may require the replacement of worn components, gaskets and touch up painting.
2. PS DOORS AND/OR ITS RESPECTIVE SUPPLIERS MAY MAKE IMPROVEMENTS AND/OR CHANGES IN THE PRODUCT(S) OR SERVICE(S) OFFERED AT ANY TIME WITHOUT NOTICE.
3. Retain this manual for future reference.

PS DOORS—ACCESS HATCH

Included Items

1. Shipping Carton *
2. Access Hatch
3. Installation/O&M Manual

* Not included with bulk orders.



I. GENERAL INFORMATION

This manual contains information regarding installation, operation, and maintenance of the PS DOORS Access Hatch, all Models. Operation in a manner other than intended could result in damage or less than acceptable performance, for which the manufacturer will not be held responsible.

This product is manufactured to specific guidelines. Unauthorized alteration in any way will result in voiding Factory Warranty, and may cause product to fail with potential serious consequences.

II. STORAGE PRIOR TO INSTALLATION OF PRODUCT

- A. Store materials in a dry, ventilated location. If outdoor storage is required, block materials and tarp in a tent-like arrangement, elevated above the product with open sides to allow airflow.

III. INSTALLATION SITE PREPARATION

- A. Clear work area of any debris.
- B. Ensure you have necessary tools available.
- C. See recommended tool list next to specific installation instruction.

IV. PRE-INSTALLATION SAFETY PRECAUTIONS

- A. Ensure opening is clear of all obstructions.
- B. Comply with all OSHA Safety Regulations and/or company safety policies when installing.
- C. Install only on surfaces capable of supporting Access Hatch. Structural analysis of mounting surface is the responsibility of the owner.

V. OPERATION

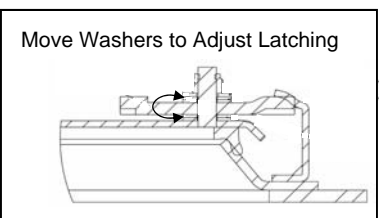
- A. When opening the Access Hatch:
 1. Turn the quarter turn mechanical latch/latches to the open position.
 2. Open the Access Hatch Cover.
- B. When closing the Access Hatch:
 1. Ensure no material is between the gasket and Access Hatch frame.
 2. Close the Access Hatch Cover.
 3. Turn quarter turn mechanical latch/latches to the closed and latched position.

VI. INSPECTION AND MAINTENANCE

- A. Fasteners and Mechanical Connections:
 1. All fasteners must be in place and adjusted to their original design standards. Replace any damaged components.
 2. Check gaskets periodically to ensure proper functionality. Replace as necessary
- B. Quarter Turn Mechanical Latch Adjustment
 1. To increase or decrease tension on Quarter Turn Mechanical Latch, move washers from over or under mechanical latch as required. **See Illustration to Right.**
- C. Finishes: Touch up and repair finishes as necessary.

NOTICE Unauthorized modification of this product voids the PS DOORS Limited Product Warranty. Accordingly, you can expect any request for warranty repair to be charged to you, if it requires service after modification. Authorized modifications, received in writing from PS DOORS, as long as the modification is accomplished strictly in accordance with PS DOORS' instructions, does not void warranty. To request product modifications contact PS DOORS.

WARNING Ensure mounting surface is capable of supporting Access Hatch (by others).



STANDARD HATCH INSTALLATION—WELD IN PLACE OPTION

STANDARD HATCH INSTALLATION – WELD IN PLACE OPTION: For installation on a flat surface.— *See Illustration 2. For cutting a new opening see Illustration 5, Page 5.*

Recommended Tools

- One (1), Welding equipment.

1. Align the Access Hatch with the opening to ensure correct hatch size and fit.
2. Once Access Hatch is in desired position, tack weld in place and verify alignment.
3. Weld in place.
 - Note: Weld in small increments. If welding in large increments, warping of Access Hatch may occur.
 - Number of welds is dependant on size and load requirements of Access Hatch. If not seal welding, caulk as required.
 - When welding, shield gasket from sparks. Burn holes in gasket may cause product to fail
4. Field Verify Installation.
5. Touch up finish at welds. (Touch up paint not provided)

CRITICAL VERIFY INSTALLATION

1. Ensure all welds are tight and no gaps are left between Access Hatch and Material being mounted to.
2. Operate hatch cover to ensure free movement.

STANDARD HATCH INSTALLATION— BOLT IN PLACE OPTION

STANDARD HATCH INSTALLATION – BOLT IN PLACE OPTION: For installation on a flat surface.— *See Illustration 1. For cutting a new opening see Illustration 5, Page 5.*

Recommended Tools

- One (1), Socket and Ratchet Set
- One (1), Wrench Set
- One (1), Electric Drill
- One (1), Measuring Tape
- One (1), Drill Bit Set
- App. Number of Clamps

1. Align the Access Hatch with the opening to ensure correct hatch size and fit.
2. Once Access Hatch is in desired position, open hatch door and clamp the frame to the material being mounted to.
3. Match drill holes in Access Hatch Frame and material being mounted to.
 - Note: Number of mounting holes is dependant on size and load requirements of the Access Hatch.
 - Caulk as necessary if airtight seal is required.
4. Mount with appropriate hardware. (BY OTHERS)
5. Tighten all bolts to final position.
6. Field Verify Installation.

CRITICAL VERIFY INSTALLATION

1. Ensure all bolts/nuts are tight.
2. Operate hatch cover to ensure free movement.

Illustration 1.

INSTALLATION - WELD IN PLACE OPTION

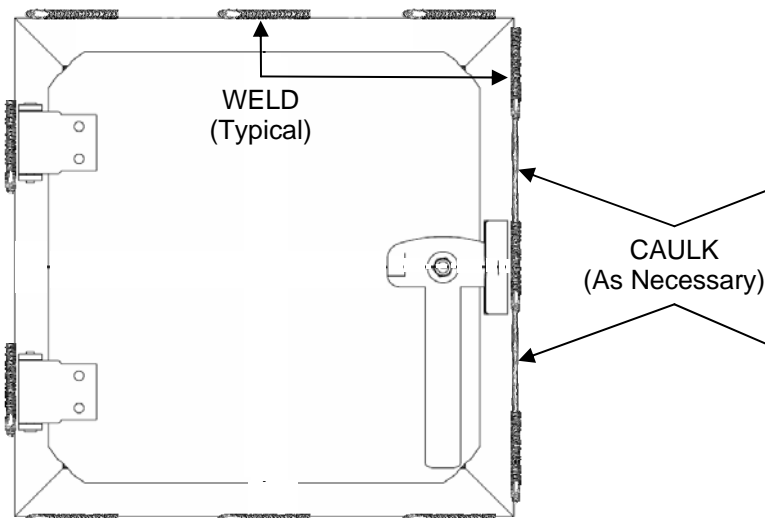
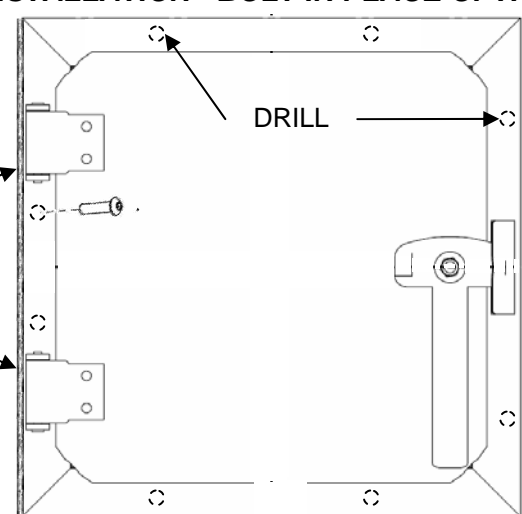


Illustration 2.

INSTALLATION - BOLT IN PLACE OPTION



HIGH NECK & RADIUS CUT HATCH INSTALLATION—WELD IN PLACE

HIGH NECK HATCH INSTALLATION – WELD IN PLACE:

For installation on a flat surface.— *See Illustration 3.*

1. Align the Access Hatch with the opening to ensure correct hatch size and fit.
2. Once Access Hatch is in desired position, tack weld in place, verify alignment.
3. Weld in place.
 - Note: Weld in small increments. If welding in large increments, warping of Access Hatch may occur.
 - Number of welds is dependant on size and load requirements of Access Hatch. If continuous seal welding is not required, weld as required and caulk.
 - When welding, shield gasket from sparks. Burn holes in gasket may cause product to fail.
4. Field Verify Installation.
5. Touch up finish at welds.

RADIUS CUT HATCH INSTALLATION – WELD IN PLACE OPTION: For installation on a round surface. *See Illustration 4.*

1. Align the Access Hatch with the opening to ensure correct hatch size and fit.
2. Once Access Hatch is in desired position, tack weld in place, verify alignment.
3. Weld in place.
 - Note: Weld in small increments. If welding in large increments, warping of Access Hatch may occur.
 - Number of welds is dependant on size and load requirements of Access Hatch. If continuous seal welding is not required, weld as required and caulk.
 - When welding, shield gasket from sparks. Burn holes in gasket may cause product to fail.
4. Field Verify Installation.
5. Touch up finishes at welds.

Recommended Tools

- One (1), Welding equipment.

CRITICAL VERIFY INSTALLATION

1. Ensure all welds are tight and no gaps are left between Access Hatch and Material being mounted to.
2. Operate hatch cover to ensure free movement.

Recommended Tools

- One (1), Welding equipment.

CRITICAL VERIFY INSTALLATION

1. Ensure all welds are tight and no gaps are left between Access Hatch and Material being mounted to.
2. Operate hatch cover to ensure free movement.

Illustration 3.

HIGH NECK HATCH—WELD IN PLACE

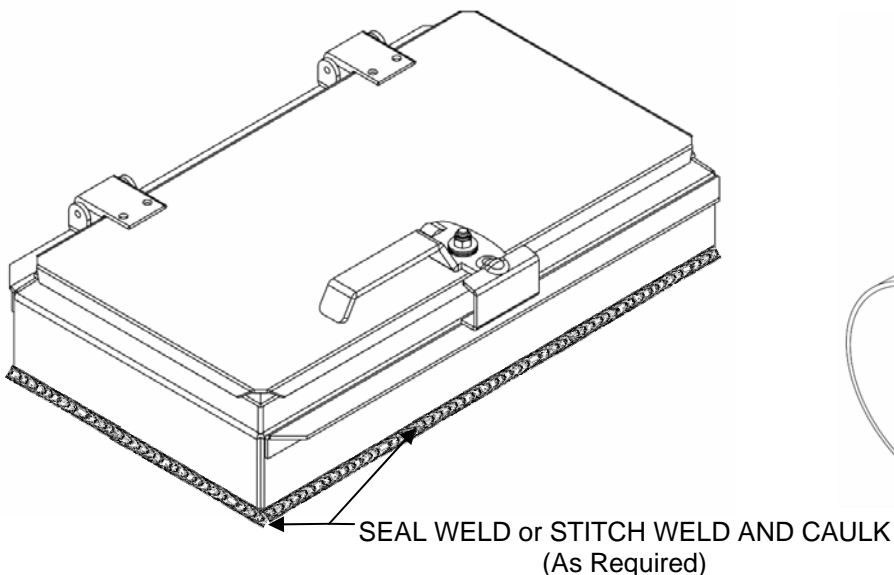
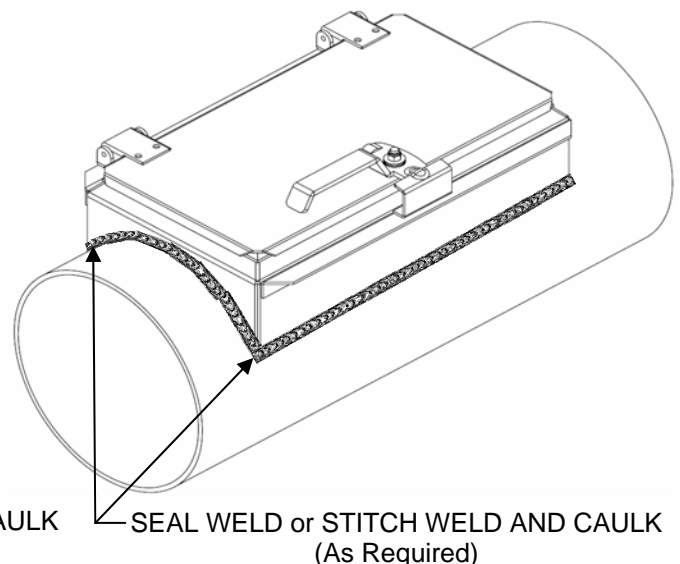


Illustration 4.

RADIUS CUT HATCH—WELD IN PLACE

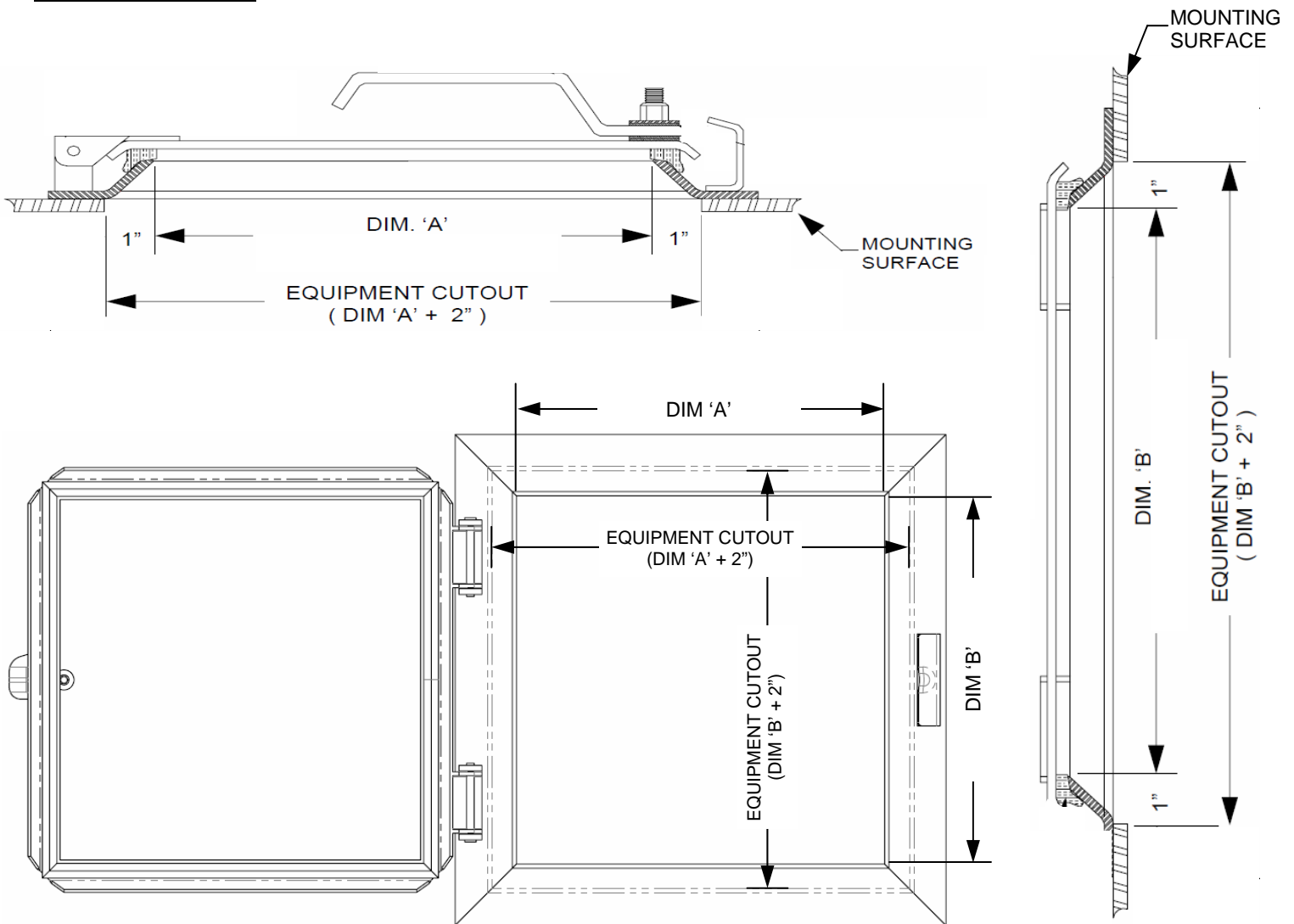


DETERMINING CUT OUT SIZE

INSTALLATION – CUT OUT SIZE: See *Illustration 5*.

1. Determine the opening width and height of the Access Hatch. Dimension A and B on the illustration below.
2. Once the opening width and height is determined add two (2) inches as shown in “equipment cutout” measurement below.
3. Make an outline of the area to be cut out and trace that outline on the material that the access hatch is being mounted to.
4. Use appropriate cutting tools for the material being mounted to and cut out the opening.

Illustration 5. INSTALLATION - CUT OUT SIZE



REPLACEMENT GASKET—INSTALLATION

REPLACEMENT GASKET—INSTALLATION: See *Illustration 6*.

1. Determine amount of gasket needed.
 - a. Measure perimeter of hatch lid and add 2".
2. While original gasket is still in place, use a scratch awl to scribe a permanent outline of the original gasket.
3. Remove old gasket.
4. Clean hatch cover where old gasket and adhesive were placed.
 - a. Clean thoroughly with an alcohol based substance (paint thinner, alcohol wipes) to ensure gasket adheres properly.
5. Start replacement gasket at center of lid on the hinge side. Follow the scribed line or follow line of original gasket when applying the replacement gasket.
6. Cut a "pie shape" cut out of the corners for smooth corners and proper gasketing of hatch.
7. Cut off excess gasket as required.

Note* - gasket stretches when cutting – do not cut off too much.

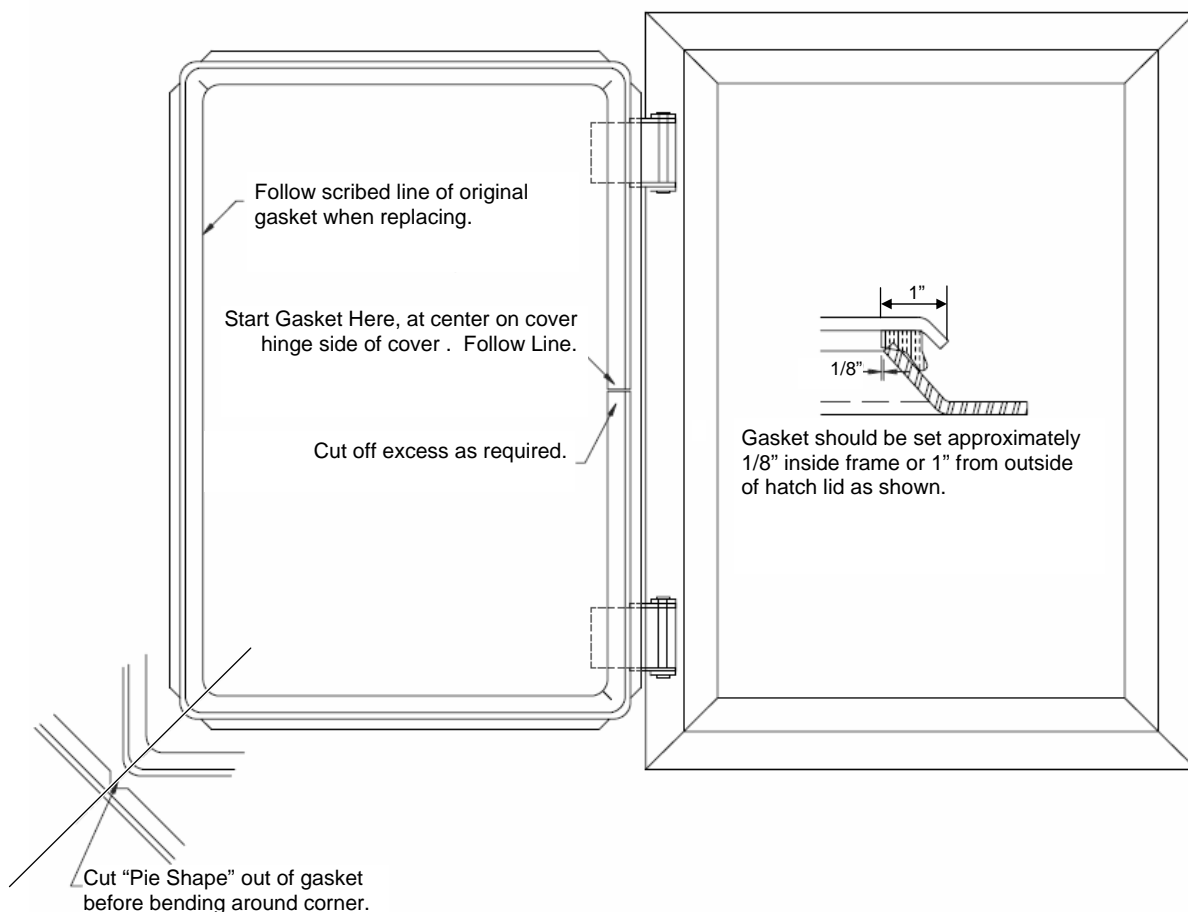
Recommended Tools

- One (1) Knife
- One (1) Scraper
- One (1) Scratch Awl
- Cleaning Solution

CRITICAL VERIFY INSTALLATION

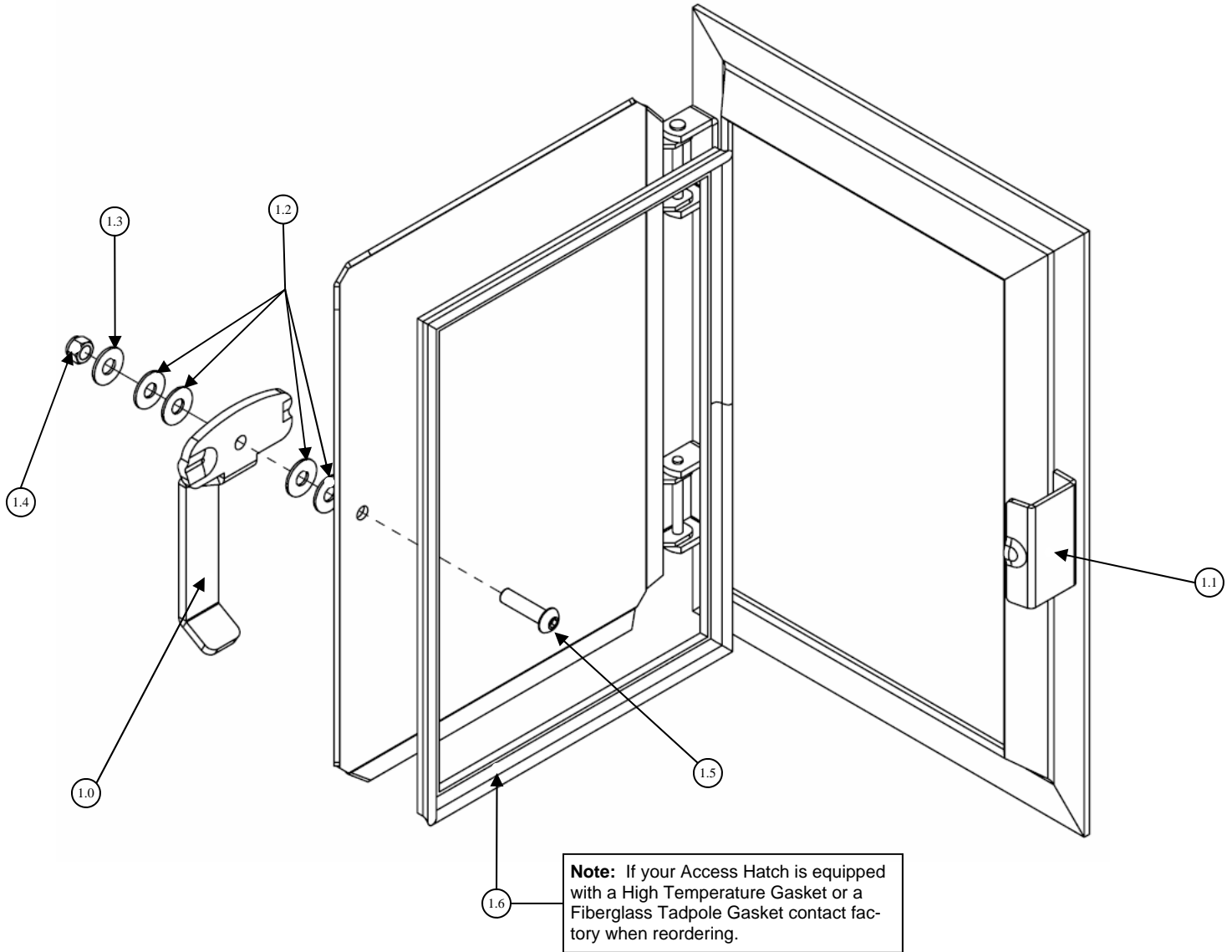
1. Ensure hatch seals properly.
2. Operate hatch to ensure free movement.

Illustration 6. INSTALLATION - GASKET REPLACEMENT



PARTS DIAGRAM

Note 1: Access Hatch is shipped fully assembled. Diagram is for part identification only.



***Hardware on Stainless Steel Gates To Be 304 Alloy**

#	Description	Qty	Hatch Construction	
			Mild Steel PN	Stainless Steel PN
1.0	Detent Handle	1	503304	503120
1.1	Detent Catch	1	503123	503123
1.2	Washer; Nylon Flat	4	501955	501955
1.3	Washer; Flat	1	502174	501946
1.4	Nut; Nylock	1	502175	502176
1.5	Screw; BHSickCap 3/8" 16	1	508377	508378
1.6	EPDM; Gasket	1	502012	502012

To Order Parts Contact PS DOORS at 800-284-0623 or 4psinfo@psdoors.com