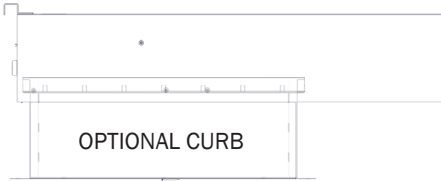


SLIDEWISE™ ROOF HATCH

INDUSTRIAL PANEL, FRAME, AND HARDWARE IN STEEL OR ALUMINUM



**SIDE VIEW
(ALUM CLOSED)**

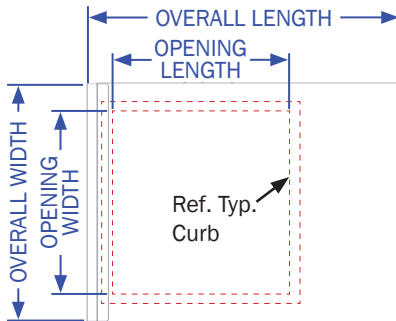


**SIDE VIEW
(STEEL CLOSED)**

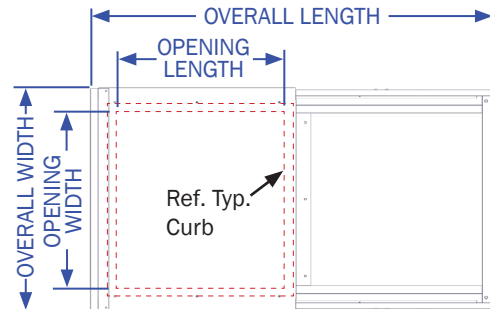
Aluminum Standard Models						
Model	Overall Width	Overall Length	Opening Width	Opening Length	Minimum Side-room	Weight
SRH-3030A	41"	54"	30"	30"	54"	114 lbs
SRH-3630A	47"	54"	36"	30"	54"	120 lbs
SRH-3636A	47"	60"	36"	36"	60"	131 lbs

Mild Steel Standard Models					
Model	Overall Width	Overall Length	Opening Width	Opening Length	Weight
SRH-3030M	40 5/8"	72 1/8"	30"	30"	231 lbs
SRH-3630M	46 5/8"	72 1/8"	36"	30"	249 lbs
SRH-3636M	46 5/8"	84 1/8"	36"	36"	274 lbs
*SRH-4848M	58 5/8"	108 1/8"	48"	48"	367 lbs
*SRH-9630M	106 5/8"	84 1/8"	96"	30"	460 lbs

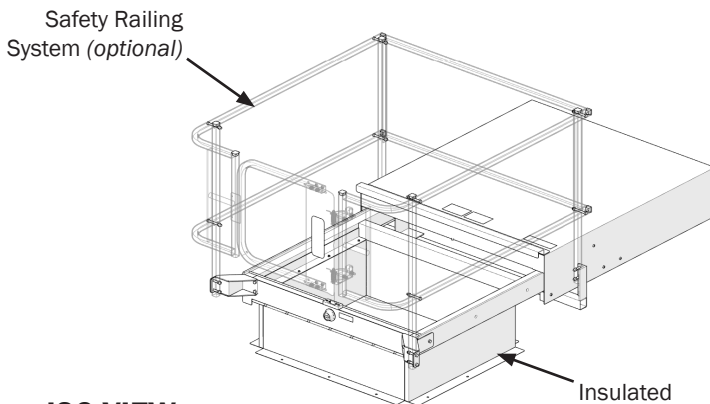
*Custom-sized Hatches and will result in longer shipping time.



**TOP VIEW
(ALUM CLOSED)**

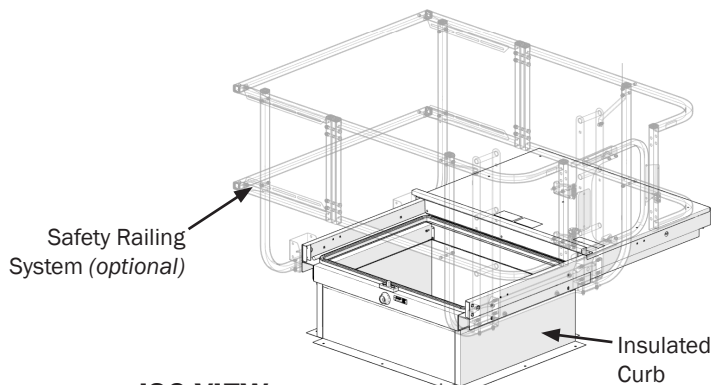


**TOP VIEW
(STEEL CLOSED)**



**ISO VIEW
(ALUM OPEN)**

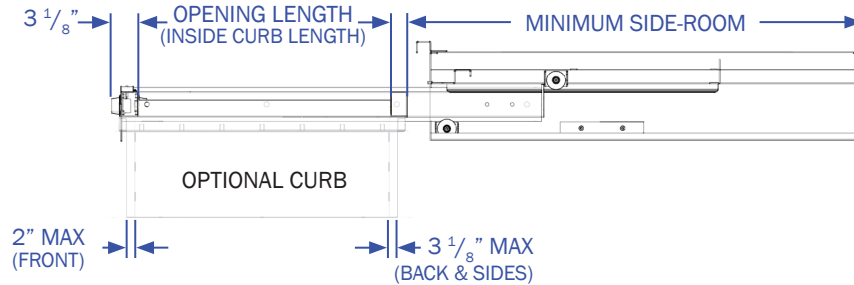
Insulated Curb
(optional)



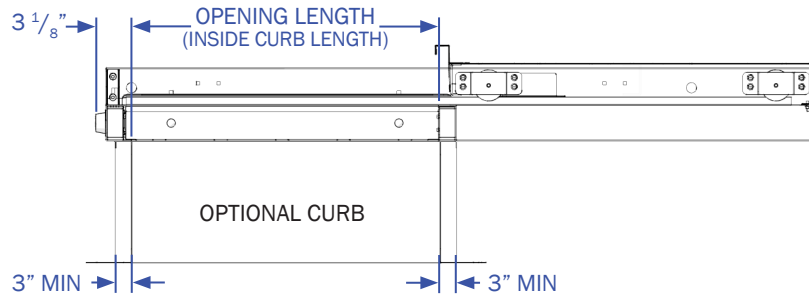
**ISO VIEW
(STEEL OPEN)**

Insulated Curb
(optional)

**SECTION VIEW
(ALUM OPEN)**



**SECTION VIEW
(STEEL OPEN)**



AVAILABLE MATERIAL TYPES				AVAILABLE MATERIAL FINISH			
DOOR CORE STRUCTURE	TYPE	FRAME	PANEL SHEETS	PRIMER	INDUSTRIAL ENAMEL	POWDER COAT	MILL FINISH
Mild Steel	Mild Steel	10 Gauge	16 Gauge	-	-	Standard	-
Aluminum	Frame: AL 6061 Panel: AL 5052	7 Gauge	16 Gauge	-	-	-	Standard

HATCH SYSTEM HARDWARE:

- Deadbolt, keyed exterior and keyed interior.
- Option: Deadbolt, keyed exterior and interior thumb turn.

PERFORMANCE PARAMETERS:

- All loads and operating loads are transferred to the structure.
- One-handed operation allows personnel to always keep one hand on a ladder.
- Wind (service) Upward Load Rating: 25 PSF
- Snow (service) Downward Loading Rating: 50 PSF
- Door seals to be UV Resistant EPDM bulb seal (full perimeter) shall provide an effective barrier against wind, hot/cold temp differences, dust, debris, and moisture.
- Panel to be either mild steel, or aluminum, factory bonded-in-place. Integrated, full length pull handle, interior and exterior. Panel to be constructed as one (1) piece.
- Panel to be insulated with rigid polystyrene between internal framing members, full depth of panel cavity. Nominal R-Value = 10.
- Frame to be anchored utilizing mechanical, chemical, or other framing methods as designed. Installer to provide anchors, unless otherwise.
- Unitized tracking mounting frame. Hatch operates on four (4) rollers with double sealed stainless steel ball bearings.
- Nominal 2" thickness, fabricated from an internal welded framework.
- 16-gauge steel, or aluminum form panel sheeting.
- Aluminum Hatch: .125" thick wall tube and .375" thick track bar.
- Mild Steel Hatch: 12-gauge steel formed track and frame.
- Optional Curb available: Four-sided 16-gauge formed galvanized steel, 12" in height. Curb to have formed flange for securing to roof structure. Insulation shall be 1" fiberboard, Nominal R-Value = 5.
- Custom options available upon request.