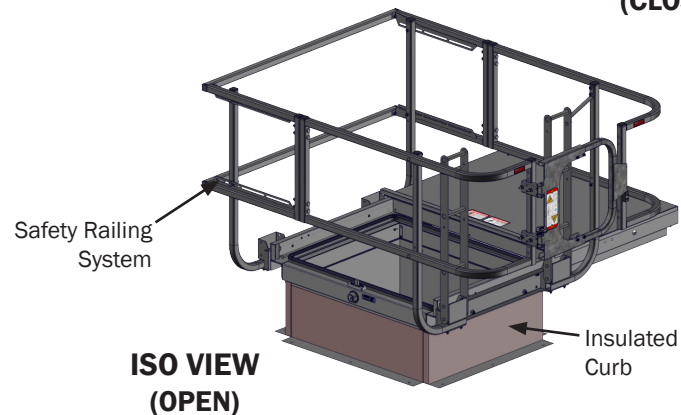
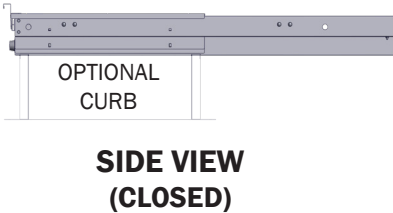
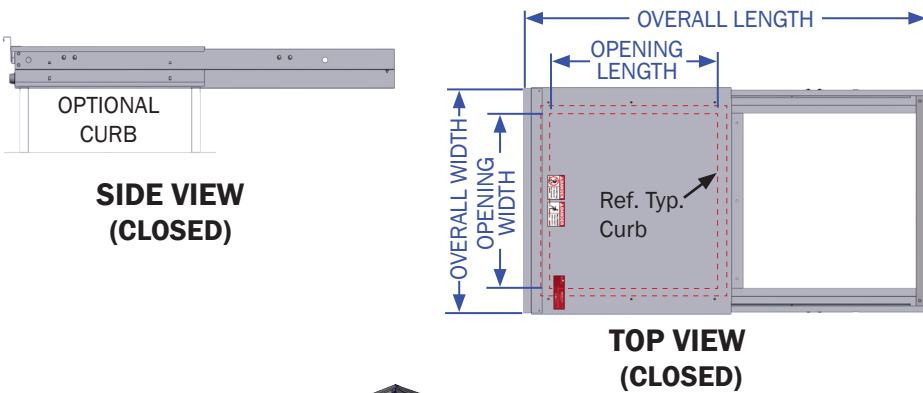
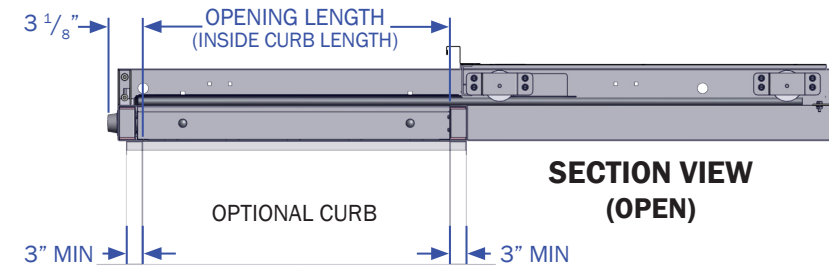


SLIDEWISE MEASURING GUIDE & ORDER FORM



1150 S. 48TH STREET, GRAND FORKS, ND 58201
Phone: 701.746.4519 | **Toll Free:** 877.446.1519
Website: psaccessolutions.com
Email: 4psinfo@psindustries.com



QUOTATION REQUESTED

SLIDEWISE ORDER

SOLD/QUOTE TO:

NAME:

COMPANY:

ADDRESS:

CITY, STATE, ZIP:

PHONE: FAX:

EMAIL:

SHIP TO:

NAME: DATE:

ADDRESS: P.O.#:

CITY, STATE, ZIP: TAG:

PHONE: SHIP VIA:

HATCH MODEL/SIZE	HATCH MODEL/SIZE					QTY	
	MODEL	OVERALL WIDTH	OVERALL LENGTH	OPENING WIDTH	OPENING LENGTH		WEIGHT
	SRH-3030M	40 5/8"	72 1/8"	30"	30"	231 lbs	
	SRH-3630M	46 5/8"	72 1/8"	36"	30"	249 lbs	
	SRH-3636M	46 5/8"	84 1/8"	36"	36"	274 lbs	
	*SRH-4848M	58 5/8"	108 1/8"	48"	48"	367 lbs	
	*SRH-9636M	106 5/8"	84 1/8"	96"	36"	460 lbs	
	*CUSTOM						

Note: Minimum curb thickness is 3". -Put quantity in white table cells.
 *Custom-sized Hatches and will result in longer shipping time.

DEADBOLT:

KEYED/ KEYED

KEYED/ THUMB-TURN

AVAILABLE OPTIONS:

INSULATED CURB

SAFETY RAILING SYSTEM

FINISH OPTION

PCG Powder Coat Gray