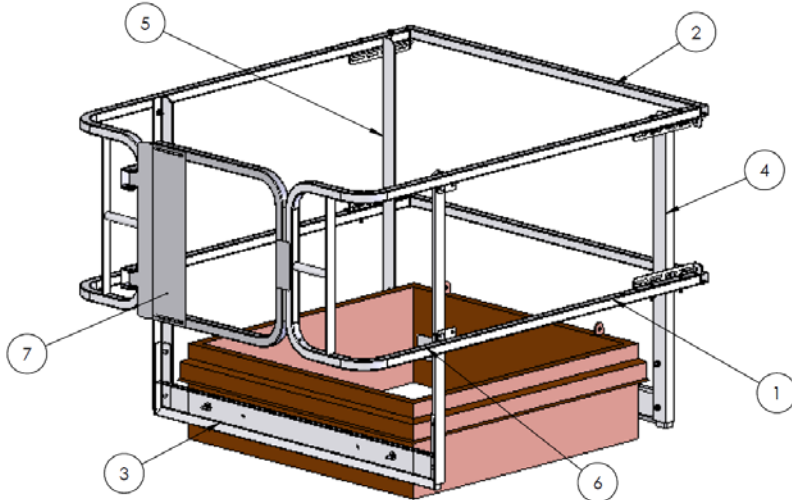
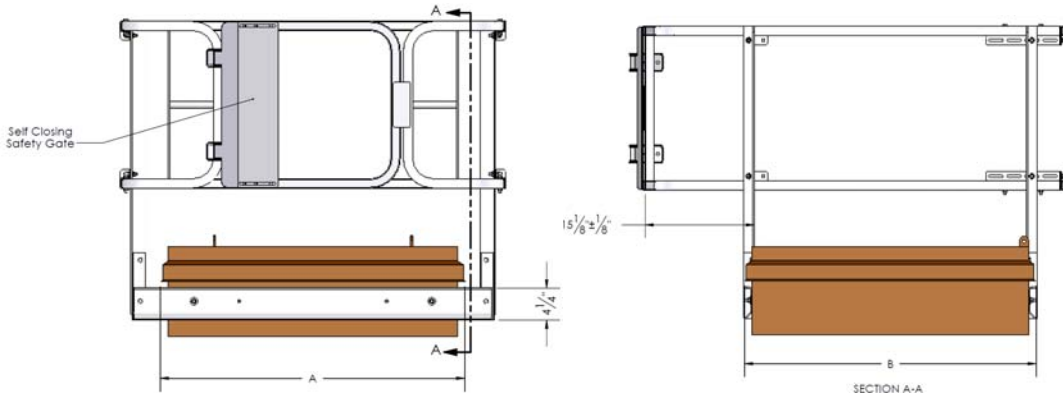


# HATCHSAFE® MEASURING GUIDE & ORDER FORM



1150 S. 48TH STREET, GRAND FORKS, ND 58201  
 PHONE: 701.746.4519 | TOLL FREE: 877.446.1519  
 FAX: 701.746.8340 | WWW.PSINDUSTRIES.COM



ITEM NO.	DESCRIPTION	QTY
1	Side Rail with Grips	2
2	Back Rail	2
3	Curb Assembly	2
4	"Right" Vertical Post	2
5	"Left" Vertical Post	2
6	3" Square Crush Plate	4
7	Self Closing Safety Gate	1

QUOTATION REQUESTED     HATCHSAFE® ORDER

### SOLD/QUOTE TO:

Name:	
Company:	
Address:	
City, State, Zip:	
Phone:	Fax:
E-Mail:	

### SHIP TO:

Name:	Date:
Address:	P.O. #:
City, State, Zip	TAG:
Phone:	SHIP VIA:

Location:

Quantity	ITEM #	DESCRIPTION	Fits Curb Ranges:	
			A Range	B Range
	HSF-775-GAL	HatchSAFE®	25-1/2" ▶ 43-1/2"	25-1/4" ▶ 41"
	HSF-780-GAL	HatchSAFE®	33-1/2" ▶ 55-1/2"	37-1/4" ▶ 53"
	HSF-785-GAL	HatchSAFE®	25-1/2" ▶ 43-1/2"	43-1/4" ▶ 59"
	HSF-790-GAL	HatchSAFE®	25-1/2" ▶ 43-1/2"	85-1/4" ▶ 101"
	Custom	HatchSAFE®	<b>Consult Factory</b>	

Custom Dimensions:

Dimension A

Dimension B

Notes:

---



---

**DRAWINGS FOR APPROVAL**    *If "NO" Approval Drawings are requested, the Name of the person "Declining" approval drawings must be shown below.*

Yes     No

Name     Date